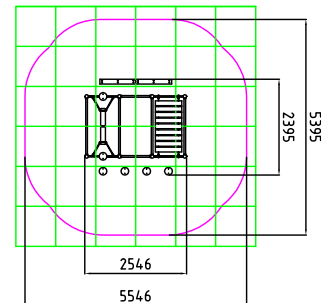


AC0401 Agility Circuit

Dimensions L x W x H	2.55m x 2.4m x 1.23m
Minimum space required L x W	5.55m x 5.4m
Free height of fall	<0.6m
Impact area	26.5m ²
Heaviest part	24kg
Largest part	1.78m x 0.68m x 0.09m
Total weight (approx)	206kg
Age	5+



Heavy Duty Construction	All components are fully welded Steel reinforced ropes
Fixings	Threaded inserts with Torx head security stainless steel fixings (tamper resistant) Outer rope connection eyebolts: M12 x 50mm sleeve nuts Standard fixings protected with a moulded cap and cover
Finish	Galvanised Polyester Powder Coating (choice of colours)

Designed and manufactured to meet the requirement of BS EN1176.