

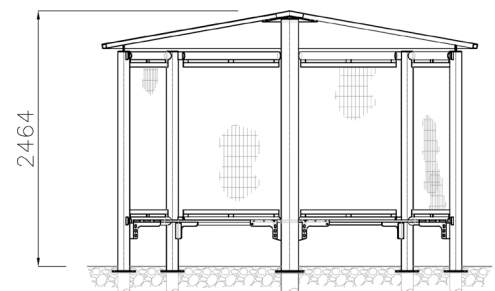
YOUTH SHELTERS HALF UPTON



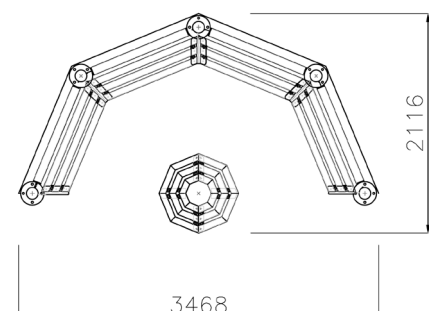
TECHNICAL INFORMATION

1. Centre post - 168mm diameter circular hollow section tube with a 3.2mm wall thickness
2. Outer posts - 114.3mm diameter circular hollow section tube and a 3.2mm wall thickness
3. Seating - Flat bar centre and outer seating
4. Roof - Octagonal shaped box section covered with 2mm thick galvanized plate
5. Panels - Your choice of;
 - Vertical 25mm x 3mm flat bar with horizontal twisted 6mm square bar
 - 2mm thick steel plate panel (as shown)
 - Perforated steel plate panel
6. Finishing - Hot dip galvanised to EN ISO 1461 by an ISO 9001 certified galvaniser and powder coated to BS EN 13438:2013. Available in any standard RAL colour of your choice
7. Fixings - High quality stainless steel security fixings covered with a durable plastic cover for safety and visual appeal throughout
8. Installation - Available root fixed in concrete pad or surface mounted onto a steel base

SIDE ELEVATION



PLAN VIEW



Do not scale from drawings. For illustration purposes only.